

Single Fiber/Dual Fiber Capillary Pigtail (PIGT)

Description

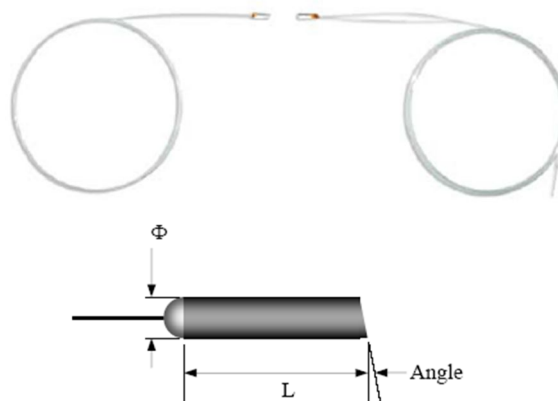
LightComm's pigtail is based on refined milling technology, used for fiber collimator and other components.

Key Features

- * Refined surface finish
- * High return loss

Applications

- * Collimator
- * Fiber components
- * High power



Specifications

Parameter \ Type	Single fiber pigtail	Dual fiber pigtail
Operating wavelength(nm)	630 or 830 or 1060 or 1310 or 1550,others on request	
AR-Coating	Reflection<0.25%	
Fiber type	SM600 / SM800 / HI1060 / SMF-28e / PM1550 / PM1310 / PM980 / PM850, others on request	
Fiber lead length(m)	1.0 or 2.0,others on request	
Capillary length(L)(mm)	5.0±1.0 ,others on request	
Capillary OD(Φ)(mm)	1.0 / 1.8	
Angle(°)	8±0.5	
Operating temperature(°C)	-40~+85	

Ordering Information

(HP)(PM)PIGT-X-X-XXXX-X*X-X-X-X-X

